

ITEM NO.	DESCRIPTION	PART NO.	QTY.
1	PUMP BODY	B1-6	1
2	SHAFT	B1-2	1
3	REAR COVER	B1-9	1
4	BODY ALIGNMENT KEY	B1-6C	1
5	PUMP HEAD	B1-7	1
6	HEAD COVER	B1-8	1
7	PUMP MOUNT	B1-30	1
8	SHAFT SEAL	2882-16	1
9	-129 COVER SEAL	B1-35	1
11	-235 HEAD SEAL	2882-18	1
12	-135 REAR SEAL	B1-36	1
13	SHAFT KEY	2882-20A	1
14	CAM RING	2882-5	1
15	INNER BUSHING	2882-4C	1
16	ROTOR	2882-1C	1
17	VANE	2882-3	12
18	ALIGNMENT PIN	2882-10	1

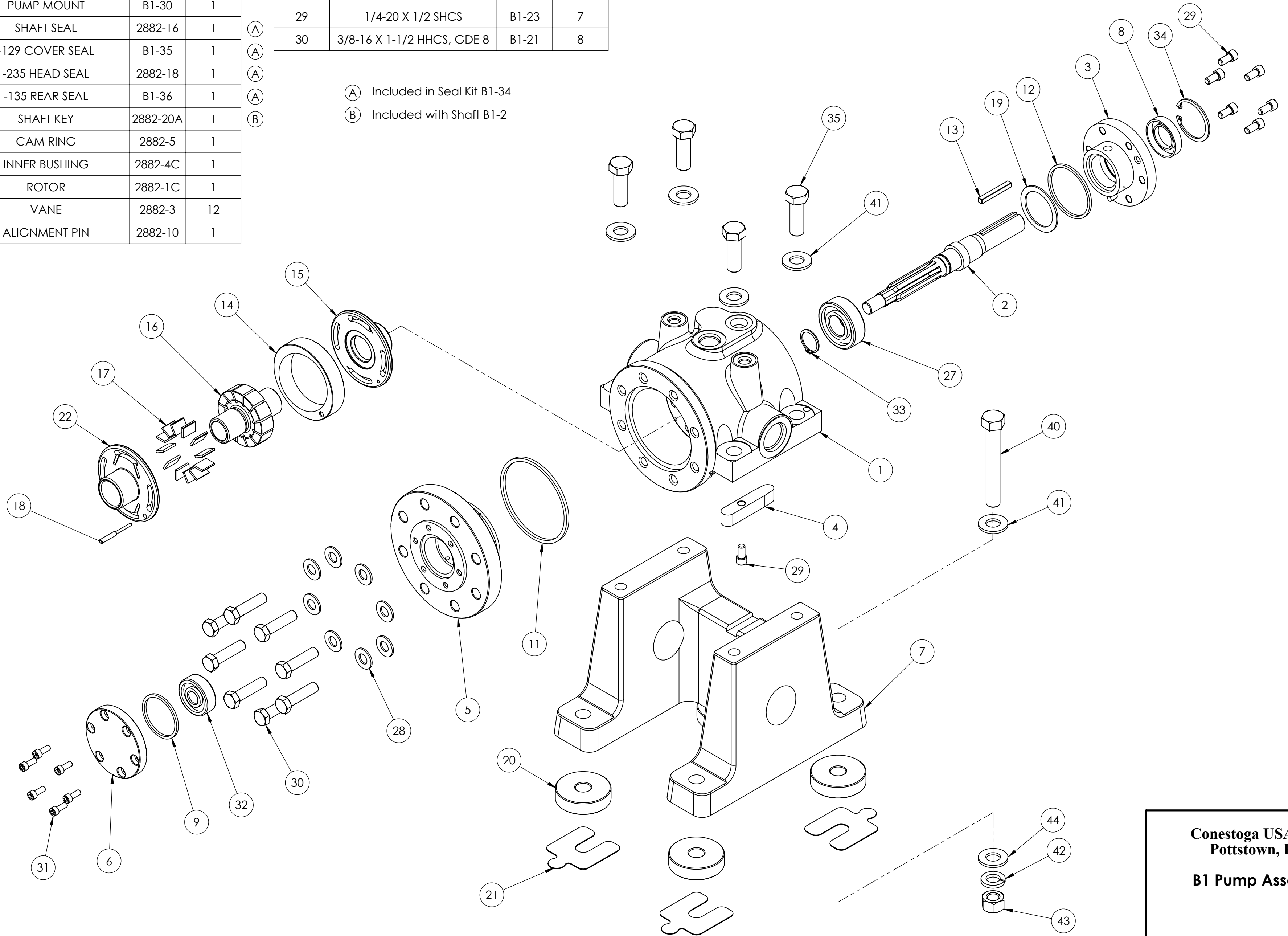
ITEM NO.	DESCRIPTION	PART NO.	QTY.
19	W1819-020 WAVE SPRING	B1-25	1
20	MOUNT SPACER	B1-30N	4
21	ALIGNMENT SHIMS	B1-30M	4 places as Needed
22	OUTER BUSHING	2882-4E	1
27	Shaft Bearing #6204	B1-14	1
28	3/8 heavy Washer	B1-42	8
29	1/4-20 X 1/2 SHCS	B1-23	7
30	3/8-16 X 1-1/2 HHCS, GDE 8	B1-21	8

ITEM NO.	DESCRIPTION	PART NO.	QTY.
31	#10-32 X 1/2 SHCS	B1-22	6
32	Head Bearing #6301	B1-15	1
33	External Retaining Ring 3AM1-20	2882-24	1
34	Internal Retaining Ring, 1.5" X .050	B1-37	1
35	1/2-13 X 1-1/2 HHCS, GDE 8	B1-30G	4

ITEM NO.	DESCRIPTION	PART NO.	QTY.
40	1/2-13 HHCS	B1-30I	4
41	1/2 HEAVY FLAT WASHER	B1-30H	8
42	1/2 LOCK WASHER	B1-30K	4
43	1/2-13 HEX NUT	B1-30L	4
44	1/2 FLAT WASHER	B1-30J	4

(B)
(A)
(A)
(A)
(A)
(B)

(A) Included in Seal Kit B1-34
(B) Included with Shaft B1-2



Conestoga USA, Inc.
Pottstown, PA.
B1 Pump Assembly